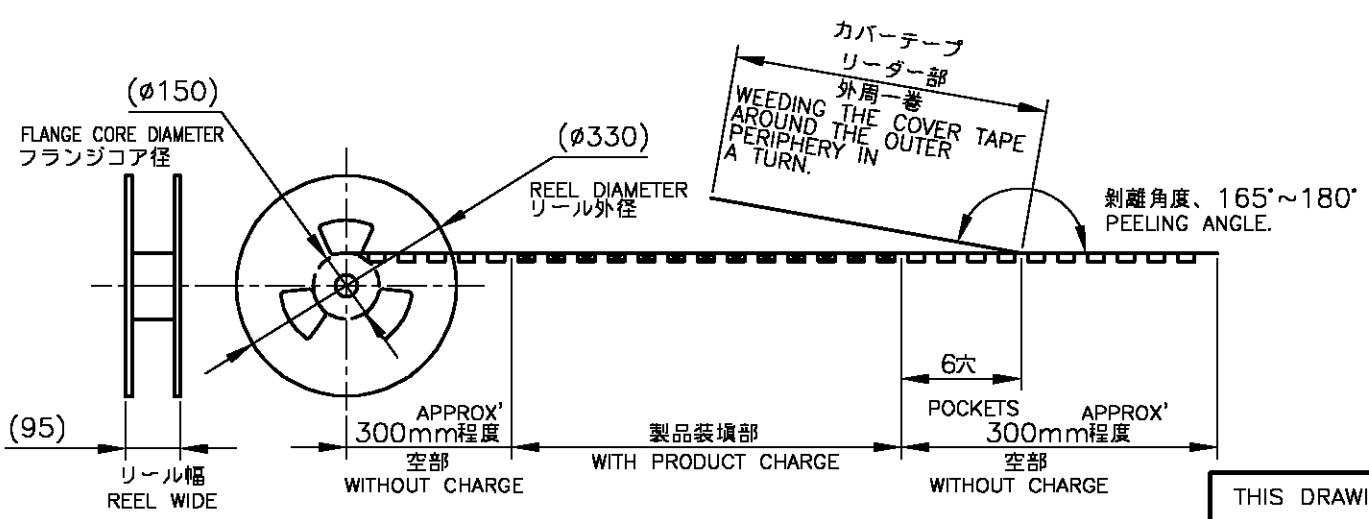
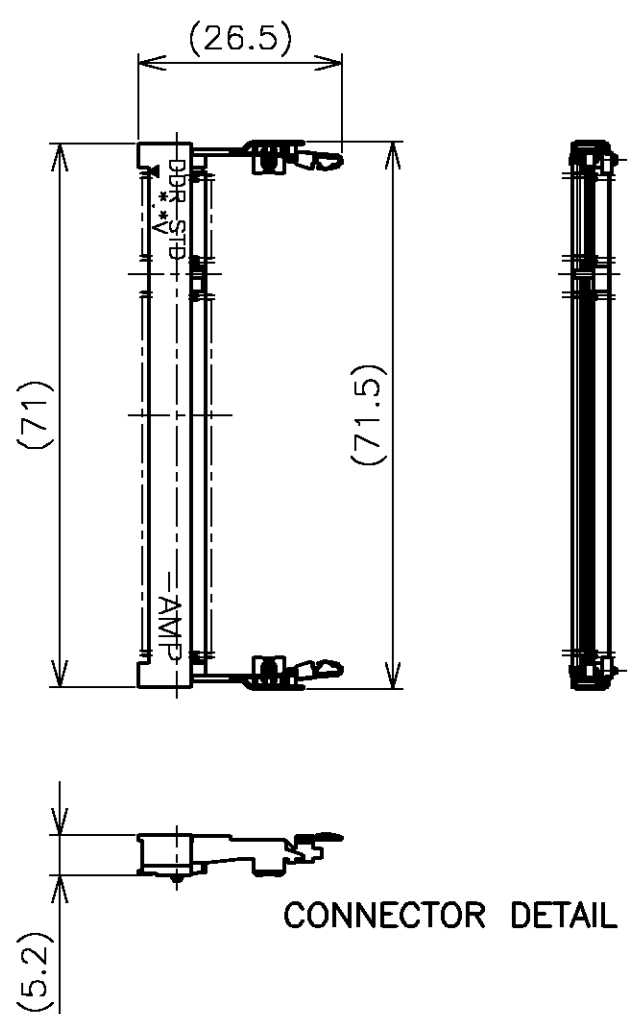
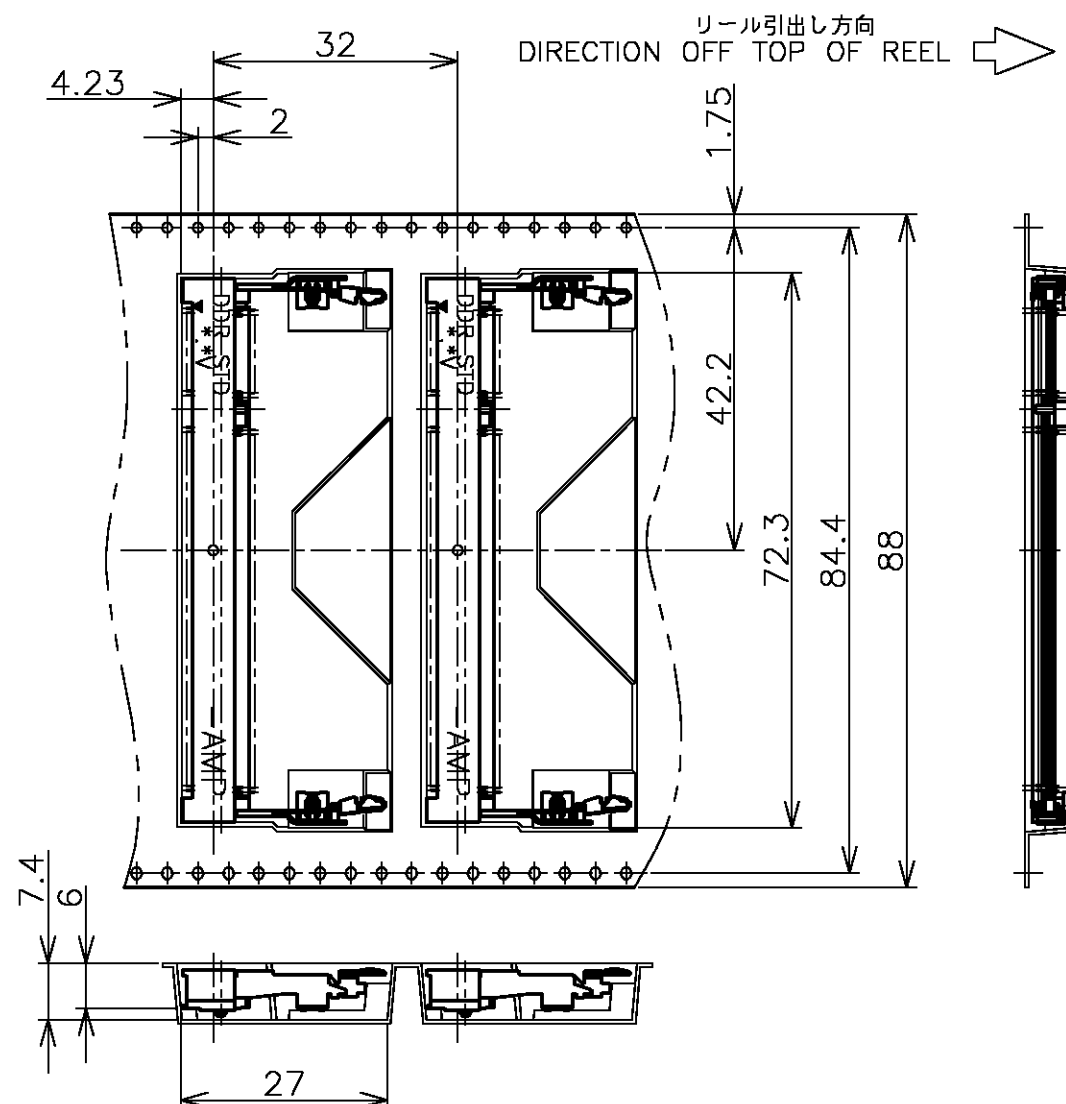


P	LTR	DESCRIPTION	DATE	DWN	APVD
	D	REVISED (FJB0-0954-03)	6JAN04	T.F	H.M



鉛フリー
LEAD FREE

POWER SUPPLY (TYPE)	QTY	CONNECTOR P/N	P/N
1.8V (DDR2)	150EA/REEL	1565711-4	1565917-4
2.5V (DDR1)	150EA/REEL	1565711-3	1565917-1

THIS DRAWING IS A CONTROLLED DOCUMENT.

DWN T.FUMIKURA 14DEC01	 Tyco Electronics AMP K.K. Kawasaki, Japan
CHK T.KUSUHARA 14DEC01	
APVD T.KUSUHARA 14DEC01	
NAME T.KUSUHARA 名称	
PRODUCT SPEC 製品規格 108-5701	
APPLICATION SPEC 取付適用規格	
WEIGHT	
CUSTOMER DRAWING	

SIZE A3	CAGE CODE 00779	DRAWING NO 1565917	RESTRICTED TO
SCALE 尺度 1:1		SHEET 1 OF 1	REV D